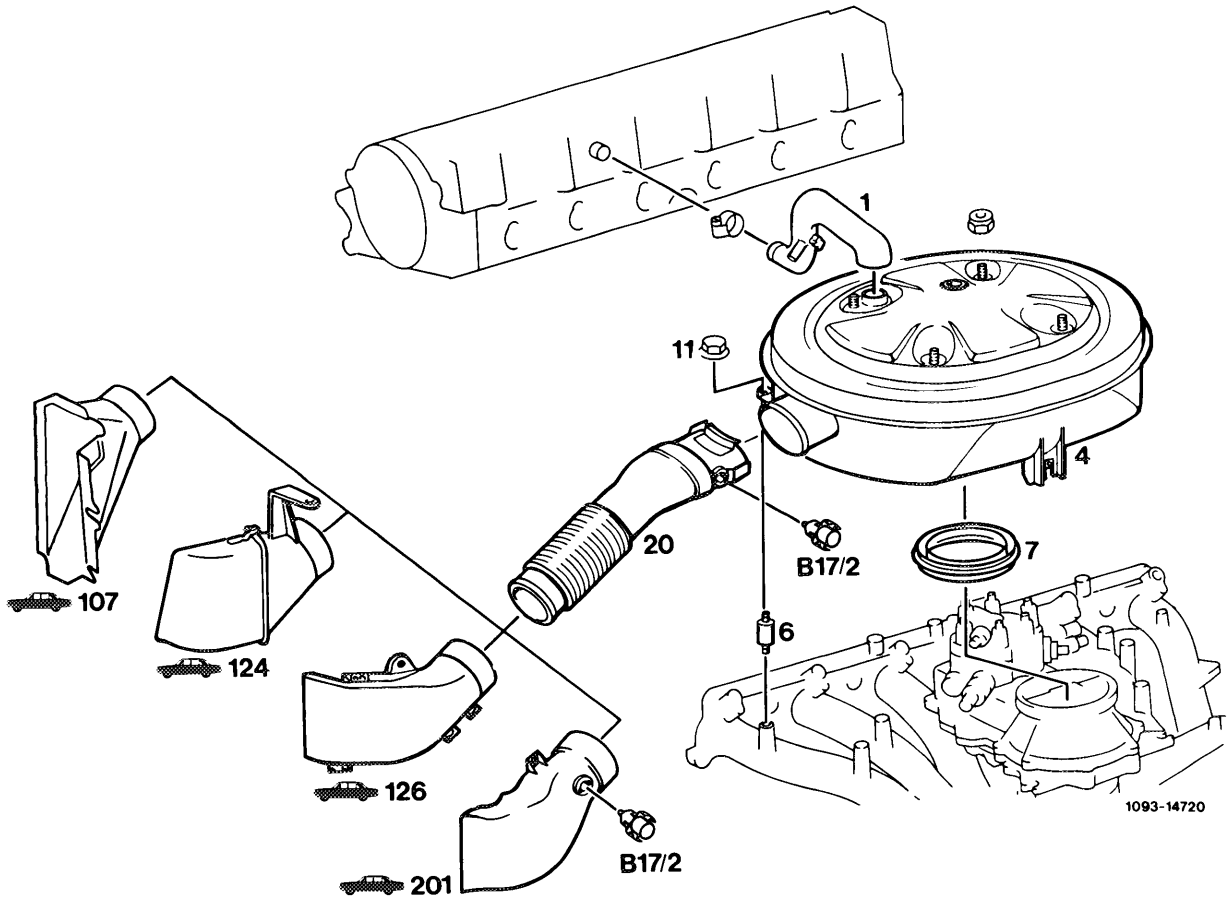


# 09-400 Removal and Installation of air cleaner

Job number of the job text and work units and standard texts and flat rates respectively ..... 09-0015

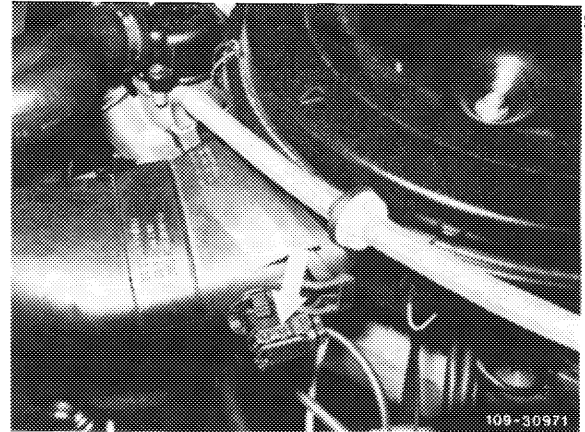


- |   |  |
|---|--|
| Intake air temperature sensor (B17/2) ..... | dismount, mount.   |
| Fastening nuts (11) .....                   | on anti-vibration mounts (6) and holder on mixture controller, unscrew and screw on.                                     |
| Shaped hose (1) .....                       | for crankcase ventilation, dismount, mount.  |
| Air cleaner (4) .....                       | dismount, mount.<br>when doing so, ensure proper seating of the sealing ring (7) between air flow meter and air cleaner. |

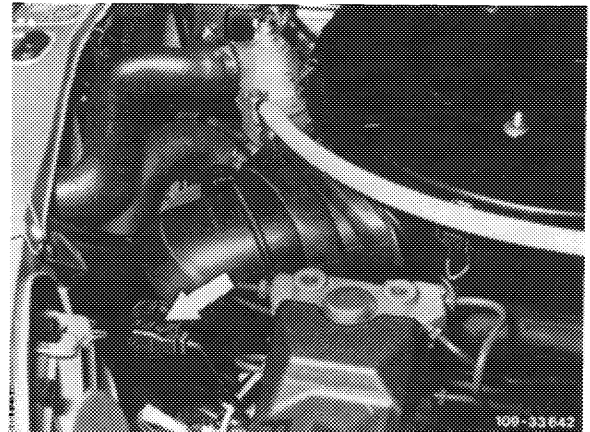
**Note**

The air cleaner top is provided with a recess for adjusting the idle speed mixture. On vehicles with RÜF/CAT version, an intake air temperature sensor is installed.

Intake air temperature sensor arrangement (arrow). Engine 103 (except 103.942) in the intake snorkel.



Engine 103.942 in the intake scoop.



The intake scoop is attached with a spreader clip (1) and locked twice.

